

# VORTEX



## Vortex

Go high-end residential or crossover to commercial applications with this new multi-market slide. This closed flume slide is available with a ladder or staircase design so you can customize to fit your application.

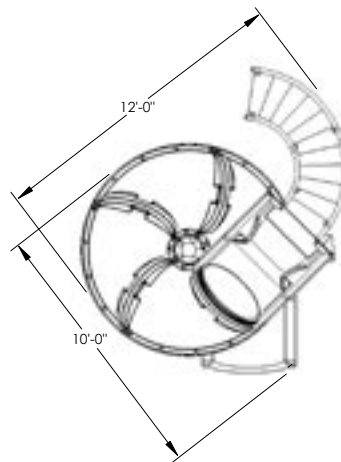
- 10'7" overall height, 7'6" tall to the seat with a 19' corkscrew runway
- Available with a ladder or spiral staircase
- High-volume water delivery system (40 gpm)
- Rotomolded flume pieces with a steel frame
- Accommodates sliders up to 325 pounds
- Mounts to existing decks\*
- This slide fully complies with the CPSC Safety Standard for Swimming Pool Slides (16 CFR 1207)

\*Consult with your local building code official for site-specific requirements

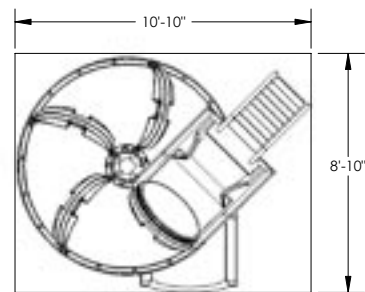
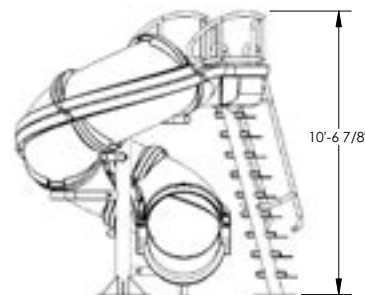




Vortex with Staircase



Vortex with Ladder



Gray Granite



Blue

Actual product colors may vary

All installations must comply with all applicable local and national codes and installation must be completed in accordance with S.R.Smith installation instructions.

Model No.	Description
695-209-2A	Full Tube with Ladder
695-209-4A	Full Tube with Staircase

A = Color: 3 = Blue, 24 = Gray Granite