

THE THRILL-RIDE POOL SLIDE!



TurboTwister™

THE THRILL-RIDE POOL SLIDE!

The TurboTwister™ slide gives you water park thrills right in your own backyard!

- Over 8 feet tall at the runway!
- Assembles in under 1 hour (not including plumbing or deck-mounting) — fastest large slide installation in the industry!
- High volume water delivery system — up to 40 gpm!
- Plumb-through return line, connect to a garden hose, or use with no running water at all!
- Available in right or left curves.
- Enclosed ladder and molded handrails for maximum safety.
- Sturdy rotomolded construction — for strength and durability.
- Accommodates children and adults up to 275 pounds.
- This slide fully complies with the Consumer Product Safety Commission's Safety Standard for Swimming Pool Slides (16 C.F.R. 1207)
- Children must be 48" to use this slide. Adult supervision required at all times



TurboTwister™



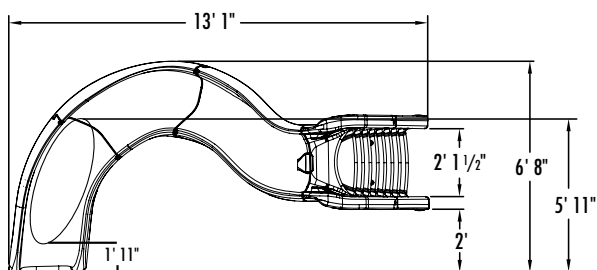
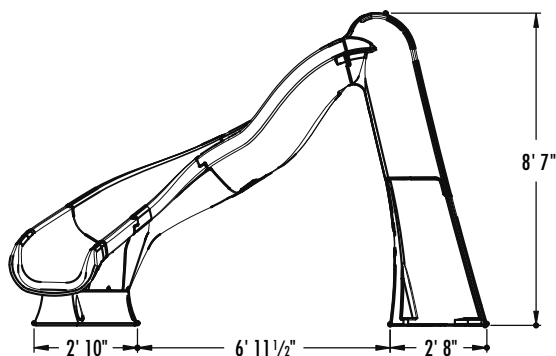
Enclosed ladder for maximum safety.



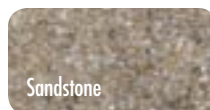
GrandRapids™ water delivery system for more slide fun!



Over 8ft tall – Bigger slide. Bigger thrills!



Left curve slide shown.



Sandstone



Gray Granite

Actual product colors vary slightly.

All installations must meet applicable local codes and installation must be completed in accordance with S.R. Smith written instructions.

Model No.	Curve	Color	Shipping Wt.
680-209-58123	RT	Sandstone	350 lbs.
680-209-58124	RT	Gray Granite	350 lbs.
680-209-58223	LT	Sandstone	350 lbs.
680-209-58224	LT	Gray Granite	350 lbs.

Copyright © 2006 S.R. Smith. All rights reserved.

M-E-BRO-280 09/06



Home Office, Sales and Manufacturing
P.O. Box 400 • 1017 SW Berg Parkway
Canby, OREGON 97013
Phone 503.266.2231 • Fax 503.266.4334

www.srsmith.com 800.824.4387